



Night Flash

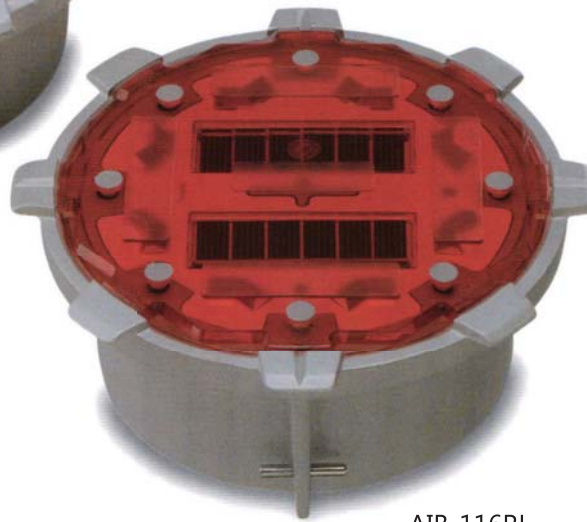
Solar Road Stud for Crossroads

Irregular type

AIB-016RL • AIB-116RL



AIB-016RL



AIB-116RL

■ Optional light-emitting diode(LED) illumination facets

Our solar stud can flash to 8 directions. It adapts to any type of intersections, including an irregular one. The facets requiring illumination can be set during installation. (Of a circular arrangement of 8 facets, 4 may be selected for illumination)

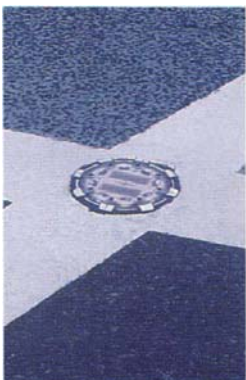
■ Using a red colorized faceplate improves daytime safety (model AIB-116RL)

Drivers can be warned of the presence of an intersection in the daytime as well. The red colorization of the faceplate was made possible via an original molding technique.

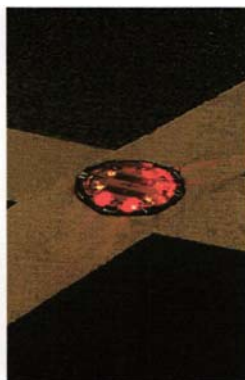
■ Constant light intensity maintained by an electric double-layer capacitor and Charging Circuit

Rather than gradually losing brightness while lit, the stud's light intensity is kept at a constant level using a built in circuit.

Installation example



AIB-016RL



AIB-116RL



Night Flash

Irregular Crossroad Indicator

Specifications

ITEM		CONTENT
Product Type		AIB-016RL AIB-116RL
Outer Dimension/Weight		Φ250 x 95.5 (mm) / 3.5 k g
In-Ground Diameter/Depth		Diameter φ230 / Depth 100mm
Hight from Ground(about)		5mm
Water Resistance		JIS C0920 7class
Installation Site		Roads and other applicable sites
LED	Type	Red LED
	Quantity	16pcs
Luminescent Operation	Method	Alternate Flashing
	Flashing Frequency	about 200times / minutes
	Operational Period	All Night (about 15 hours)
Maximum Output of Solar Cells		about 560mW
Secondary Power Source		Electric Double Layer Capacitor
Operating Temperature		-20℃~70℃

